



ARWD is a single-phase autotransformer fan speed regulator whereas A3RWD is a three-phase autotransformer fan speed regulator. Both are applicable to voltage-controllable motors (230V, 50/60Hz) to control the rotational speed of fans and ventilation systems.

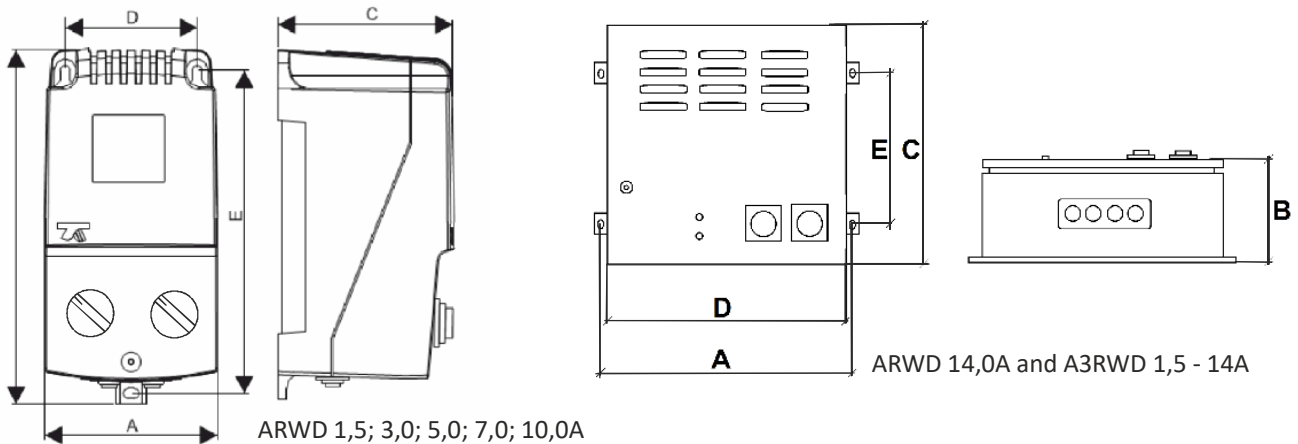
Regulators are equipped with two indicators – the green one shows when the regulator is on while the red one shows when the TK contact is on. For better protection of the regulators, we suggest using overcurrent protection.

These controllers make it possible to select two optimal motor speeds and to switch these with a contact. Important energy savings and an increase of comfort can be achieved, for example by day and night control. Regulators are fitted with TK contacts for thermal motor protection and run/stop contacts (CC-closed/OC-open) for external or remote starting and stopping.

The transformers are made with Class II insulation and protection grade IP21 (A3RWD, ARWD14) or IP54 (ARWD1,5–10), maximum ambient temperature 40°C (ARWD) and 25°C (A3RWD), thermal class of insulation B (130°C). Manufactured in compliance with EN 61558-2-13.

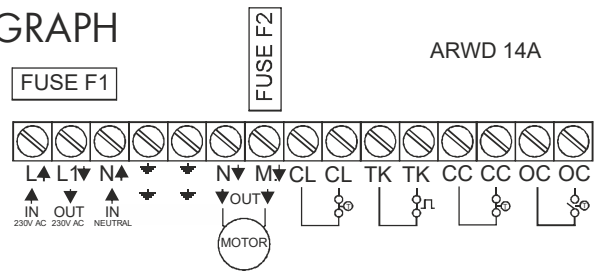
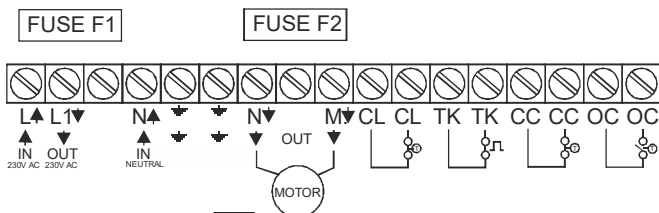


- Rated current SEC:** 1,5 – 14 A
- Rated voltage PRI:** 230V or 3x400V 50/60Hz
- Rated voltage SEC:** 5-step regulation

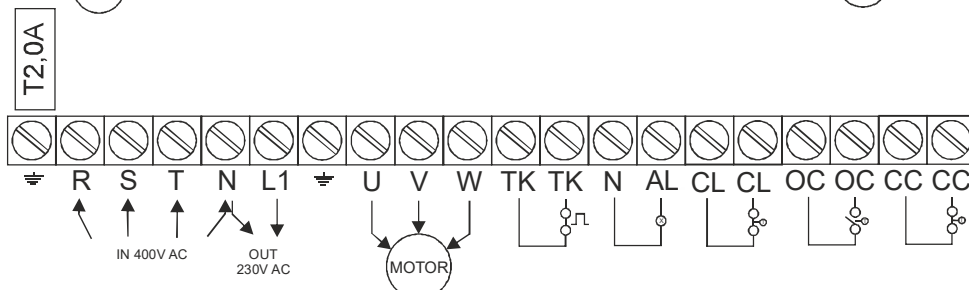


ARWD 1,5; 3,0; 5,0; 7,0; 10A

CONNECTION GRAPH



A3RWD



Type	Current [A]	Upri [V]	Usek[V]				
			1	2	3	4	5
ARWD 1,5/S	1,5	230	120	150	170	190	230
			80	100	120	150	170
ARWD 3,0/S	3	230	120	150	170	190	230
			80	100	120	150	170
ARWD 5,0/S	5	230	120	150	170	190	230
			80	100	120	150	170
ARWD 7,0/S	7	230	120	150	170	190	230
			80	100	120	150	170
ARWD 10,0/S	10	230	120	150	170	190	230
			80	100	120	150	170
ARWD 14,0/S	14	230	120	150	170	190	230
			80	100	120	150	170
A3RWD 1,5/S	1,5	3x400	3x210	3x250	3x290	3x330	3x400
			3x130	3x170	3x210	3x250	3x290
A3RWD 2,0/S	2	3x400	3x210	3x250	3x290	3x330	3x400
			3x130	3x170	3x210	3x250	3x290
A3RWD 4,0/S	4	3x400	3x210	3x250	3x290	3x330	3x400
			3x130	3x170	3x210	3x250	3x290
A3RWD 7,0/S	7	3x400	3x210	3x250	3x290	3x330	3x400
			3x130	3x170	3x210	3x250	3x290
A3RWD 10,0/S	10	3x400	3x210	3x250	3x290	3x330	3x400
			3x130	3x170	3x210	3x250	3x290
A3RWD 14,0/S	14	3x400	3x210	3x250	3x290	3x330	3x400
			3x130	3x170	3x210	3x250	3x290

Type	Dimensions [mm]					Mounting
	A	B	C	D	E	
ARWD 1,5/S	123	240	125	105	220	M6
ARWD 3,0/S	123	240	125	105	220	M6
ARWD 5,0/S	147	277	155	113	255	M6
ARWD 7,0/S	147	277	155	113	255	M6
ARWD 10,0/S	147	277	155	113	255	M6
ARWD 14,0/S	340	195	300	320	175	M6
A3RWD 1,5/S	268	160	280	250	190	M6
A3RWD 2,0/S	268	160	280	250	190	M6
A3RWD 4,0/S	340	195	300	320	175	M6
A3RWD 7,0/S	340	195	300	320	175	M6
A3RWD 10,0/S	400	230	355	380	207	M6
A3RWD 14,0/S	400	230	355	380	207	M6

Because of the constant development of product construction and changes concerning technical requirements, Breve-Tufvassons Company reserves the right to change the parameters mentioned above.