

# AUTOTRANSFORMER REGULATOR WITH TEMPERATURE SENSOR

# ARWT



Transformer ARWT regulators for speed control of single-phase fan motors, voltage controlled. Mounted in industrial heating or cooling installations, the controller's operating mode is set by means of a switch on the thermostat plate. The rotary knob on the housing panel is used for the five-step speed control. The built-in thermostat accordingly switches on and off the motor output, keeping the set temperature, which is set by the second knob. Switching and turning off the power is done by pressing the thermostat knob, which allows the memory function to be set.

Made in II class insulation. Degree of protection IP30 or IP54. Maximum ambient temperature 40 °C. Thermal class of insulation B (130 °C). Made in accordance with EN61558-2-13

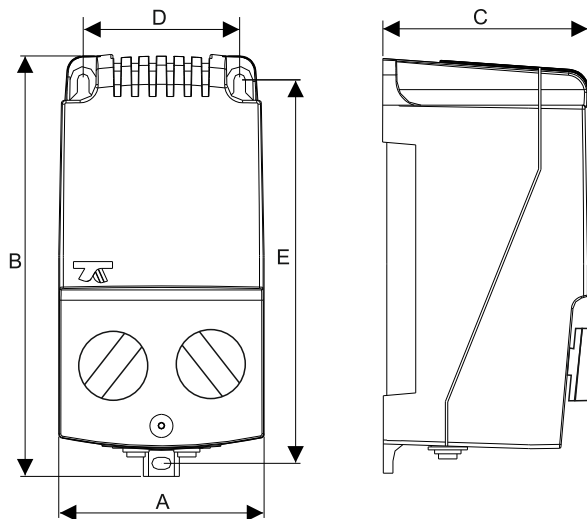
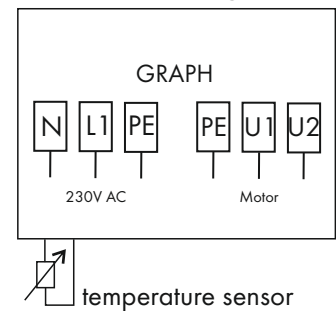
**Rated current SEC:** 1,5 - 3A

**Rated voltage PRI:** 230V 50/60Hz

**Rated voltage SEC:** 5-stopniowa regulacja



housing



Type	Current [A]	Upri [V]	Ur[V] / Ir[A]				
			1	2	3	4	5
ARWT 1,5/1	1,5	230	115/1,5	135/1,5	155/1,5	180/1,5	230/1,5
ARWT 2,0/1	2	230	115/1,0	135/1,5	155/1,7	180/2,0	230/2,0
ARWT 3,0 /1	3	230	115/2,2	135/2,5	155/2,8	180/3,0	230/3,0

Type	Dimensions					Mounting	Weight [kg]
	A	B	C	D	E		
ARWT 1,5/1	96	166	91	78	148	M4	1,50
ARWT 2,0/1	96	166	91	78	148	M4	2,30
ARWT 3,0 /1	96	166	91	78	148	M4	2,50

Because of the constant development of product construction and changes concerning technical requirements, Breve-Tufvassons Company reserves the right to change the parameters mentioned above.

